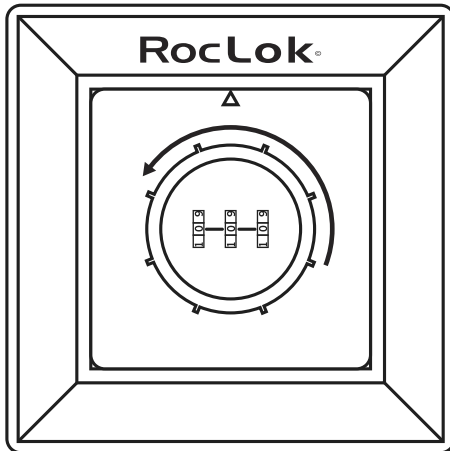


HOW TO SET YOUR PERSONAL CODE



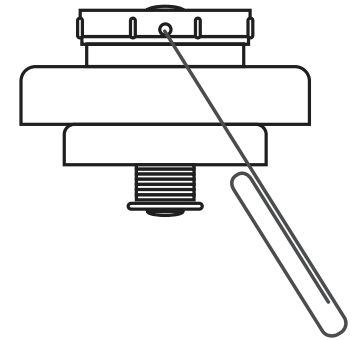
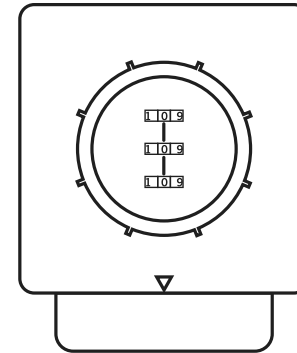
STEP 1

With the lock set to factory default 0-0-0 and the RocLok logo on the top as shown, rotate the dial counterclockwise (to the left).

Remove the lid from the chamber and proceed to step 2.

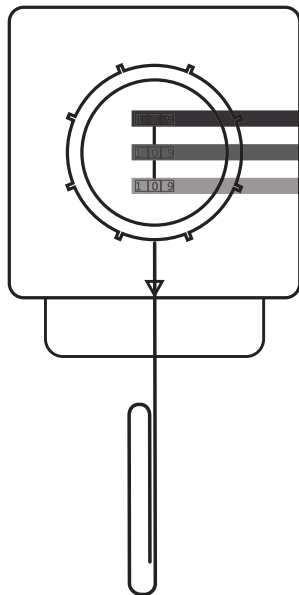
Create an online account today to save your code securely for future reference.

WWW.ROCLOK.COM



STEP 2

On the underside of the lock, across from the arrow, you'll find a small hole for the code reset button. Insert a straightened paperclip into the hole and proceed to step 3.

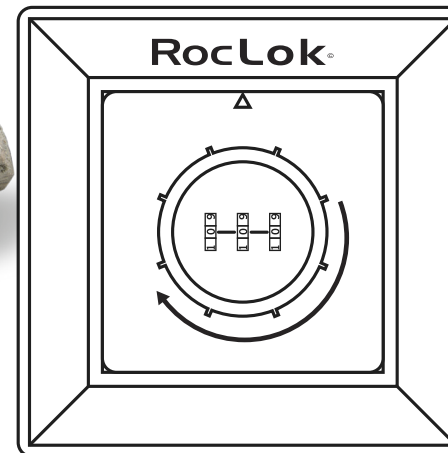


set this number 1st
set this number 2nd
set this number 3rd

STEP 3

Note: In this step, it is very important to ensure the reset button is fully depressed as the new numbers are being set. Premature release could result in the code not setting properly.

With your paperclip firmly pressing the reset button, we suggest setting your code from top to bottom as shown. Once all 3 numbers are set to your desired code, remove the paperclip and your code is set.



STEP 4

Note: Before re-inserting your lid into the chamber be sure to test that your code set properly.

First, check that the dial is reading your code properly with the arrow facing downward. If it is not, reinsert the paperclip and repeat step 3.

Once your number is correct, rotate the lock back & forth. If it moves your code is set properly.

With your new code still set, return the lid back to its chamber and rotate the dial clockwise (to the right). Rotate one or more of the numbers to lock your RocLok.