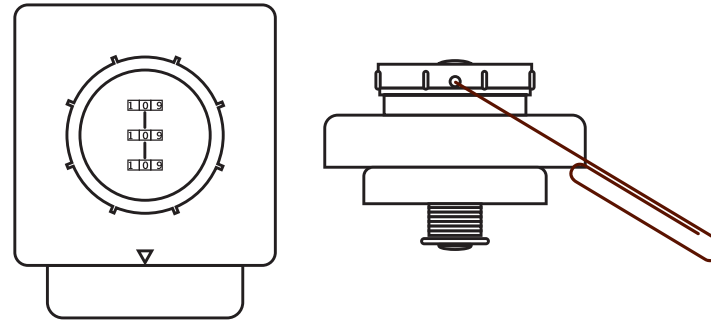
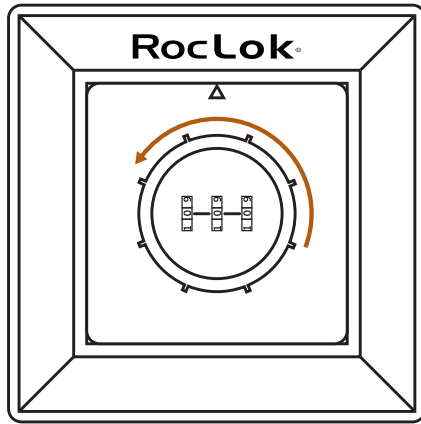


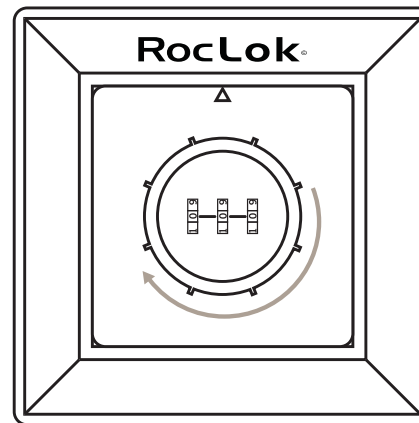
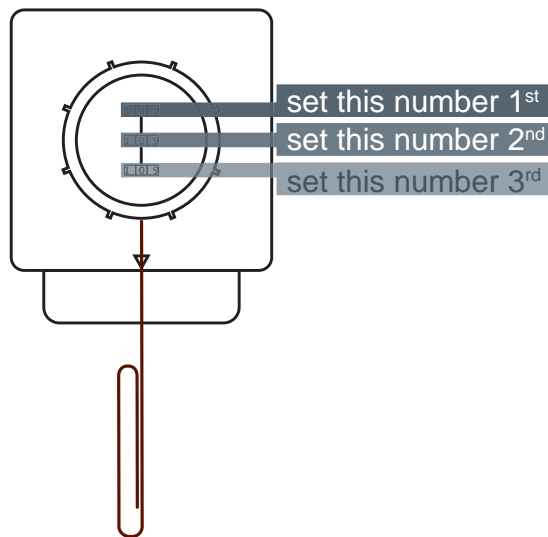
How to Set Your Personal Code



Step 1 :: With the lock set to factory default 0-0-0 rotate the dial counterclockwise (to the left as shown)

Step 2 :: On the underside of the lock across from the arrow, you'll find a small hole for the code reset button. Insert a straightened paperclip into the hole and proceed to step 3.

Remove lid from chamber and proceed to step 2.



IMPORTANT:
When unlocking your RocLok make sure to enter your code from left to right with the arrow pointed up.
◀ As shown in step 4

Step 3 :: With your paperclip pressing the reset button we suggest setting your code from top to bottom as shown.

Step 4 :: With your new code still set, return the lid back to its chamber and rotate the dial clockwise (to the right as shown)

Rotate one or more of the numbers to lock your RocLok.

Once all three numbers are set to your desired code remove the paperclip and your code is set.